

Specification  
of  
Photovoltaic module

Type KC125G-1

Dec.25.2004

Prepared by *S. Nakashima*

Checked by *M. Hirota*

Checked by *M. Oka*

Approved by *H. Hirayama*

Kyocera Corporation

Kyoto, Japan

CODE : W1

## Specification of photovoltaic module

### 1. Application

This specification is applicable for a photovoltaic module KC125G-1.

### 2. Electrical specification

Maximum power	(Pmax)	:	1 2 5 W + 1 0 / - 5 %
Test condition		:	Cell temperature 2 5 Irradiance AM 1 . 5 , 1 k W / m <sup>2</sup>

### 3. Nominal characteristics

Maximum power		:	1 2 5 W
Short circuit current	(Isc)	:	8 . 0 0 A
Open circuit voltage	(Voc)	:	2 1 . 7 V
Maximum power current	(Ipmax)	:	7 . 2 0 A
Maximum power voltage	(Vpmax)	:	1 7 . 4 V
Maximum system voltage		:	7 5 0 V
Test condition		:	Cell temperature 2 5 Irradiance AM 1 . 5 , 1 k W / m <sup>2</sup>

### 4. Physical specification

Drawing. No.	AC - 5 6 2 7 1 1 - 1
Dimension	1 4 2 5 × 6 5 2 × 5 6 mm
Mass	1 2 . 2 kg

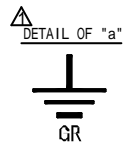
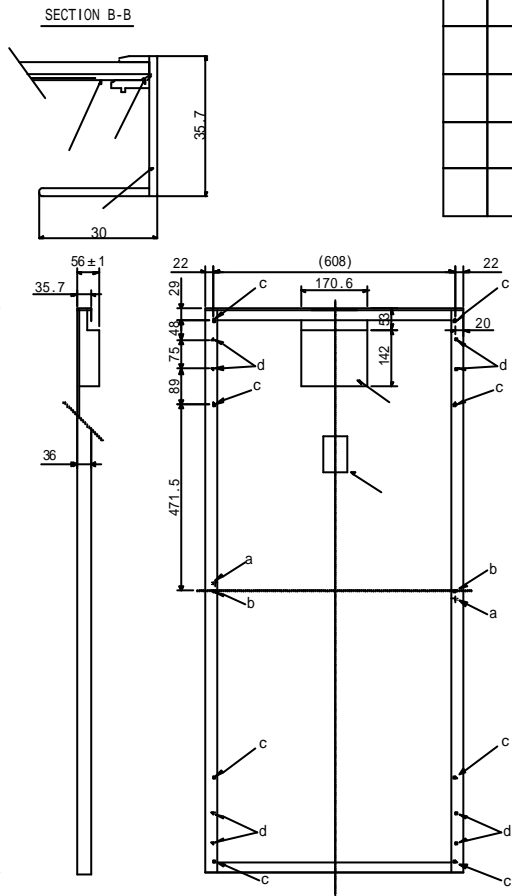
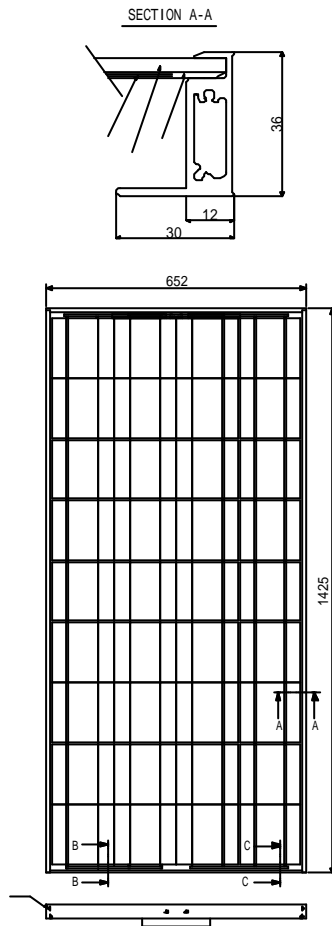
### 5. Attachment

Cable Clamp	2 pcs
-------------	-------

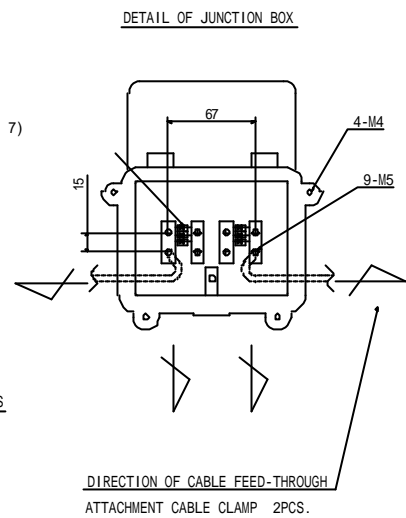
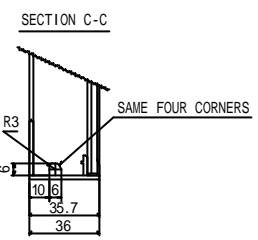
6. Remarks

Do not get on the top of module to avoid unexpected damage on it.

Do not keep the module under the hot/humid circumstances to avoid visual problem on module.



- △: GROUND MARK
- a: GROUND INSTALLATION HOLE(2- 7)
- c: INSTALLATION HOLE(8- 7)
- d: CABLE CLAMP HOLE(8- 4.7)



Unit(単位) : 100mm

No.	DESCRIPTION	QT.	MTL.	REMARKS	No.	DESCRIPTION	QT.	MTL.	REMARKS
	SOLAR CELL	3 6	Si	RSC150 d.Blue CELL		FRAME	1 S .	Al	color-BLACK
	GLASS	1	△ -	LOW-IRON TEMPERED		JUNCTION BOX	1 S .	PPE	USABLE CABLE6-8mm
	POTTANT	1 S .	EVA			BY-PASS DIODE	2 S .	△ -	
	BACK SHEET	1	PVF/PET	WEATHER-RESISTANT		LABEL	1	PET	
	BUTYL	1 S .	△ -			T.P.SCREW	1 0	SUS	

DIMENSION	TOLERANCE(±)
~ 6	0.3
6 ~ 30	0.5
30 ~ 120	0.8
120 ~ 315	1.2
315 ~ 1000	2.0
1000 ~	2.5

SCALE FREE	NAME PHOTOVOLTAIC MODULE
TOLERANCE REFER TO TOLERANCE LIST	
DATE 2004.6.1	TYPE KC125G-1
	DWG.NO. AC-562711-△